



Technical Features



Casing:
Black forge
(standard)



Panels:
Anodized
aluminium
(standard)



Panels:
Stainless
Steel
(optional)



Other colors
and materials
on request



Maximum range
SB : 5 m BB : 7 m



Heating types
E : electrical 3 stages
P : water
A : unheated
DX : heat pump [*]



Casing [**]
Galvanised Steel

[*] Consult separate DX catalogs

[**] Customizable dimensions on request



Airflow / Length
2910 - 9380 m³/h
1 m to 2,5 m



Heating capacity
E : 5 - 46 kW
P : 12,4 - 45,8 kW



Grille type
Rectangular perforated



Fans
Centrifugal
5-speed



Control
Plug&Play Advanced PRO
+ IR remote control
(Optional Clever Control)



Outlet lamellas
Aluminium, airfoil type
Adjustable 0-15° each side

Decorative, minimalist and elegant, ZEN air curtain is it the favorite for architects and designers to include in their projects.

ZEN BB air curtain has the same aesthetic and similar dimensional features as the MG model, but with an equivalent power to industrial unit.

Its smart design and high performance is perfect to blend with any building's internal or external aesthetics.

Apart from seamlessly integrating into any space, ZEN can become an active part of the decor and ambience of the premises offering more features than a standard air curtain.

ZEN air curtain offers infinite possibilities of customization. Central casing made of galvanized steel finished in black forge as standard. Front anodized aluminium panels, optionally manufactured in brushed or mirror polished stainless steel. Other materials are possible, such as wood, metal, etc. Other colours are available on request. Special finishes with other materials such as aged metal, wood, glass, PVC / PES, logos, signage, graphics, lights, clocks, vinyl or slogans.

This model works with latest generation double-inlet centrifugal efficiency EC fans driven by an external rotor motor, with low noise level and very low consumption.

Advanced Plug&Play control. Includes: Advanced PRO control with LCD display and integrated thermostat, door contact, 7m RJ11 cable and remote control. Optional: intelligent Clever PRO Control (automatic, programmable, modbus for PLC, timer, etc).

❄ UNHEATED

Model	Airflow m ³ /h	Ventilation power 230V~50Hz kW	Ventilation current 230V~50Hz A	Noise level (5 m) dB(A)	Weight kg
ZEN SB 1000 A	3060	0,523	3,8	62	37
ZEN SB 1500 A	4080	0,697	5,07	63	53,5
ZEN SB 2000 A	6120	1,046	7,61	64	75
ZEN SB 2500 A	7140	1,22	8,87	65	90
ZEN BB 1000 A	4020	0,873	3,87	66	39
ZEN BB 1500 A	5360	1,164	5,16	67	55,5
ZEN BB 2000 A	8040	1,746	7,74	68	78
ZEN BB 2500 A	9380	2,037	9,03	69	94




 ELECTRIC HEATED

Model	Airflow	Electrical heating capacity 400Vx3~50Hz (*)	Ventilation power 230V-50Hz	Ventilation current 230V-50Hz	Noise level (5 m)	Weight kg
	m ³ /h	kW	kW	A	dB(A)	
ZEN SB 1000 E	3060	5/10/15	0,523	3,8	62	48
ZEN SB 1500 E	4080	7,5/15/22,5	0,697	5,07	63	69,5
ZEN SB 2000 E	6120	10/20/30	1,046	7,61	64	96
ZEN SB 2500 E	7140	12/22/34 (**)	1,22	8,87	65	116
ZEN BB 1000 E	4020	6/15/21	0,873	3,87	66	49,5
ZEN BB 1500 E	5360	8/19/27	1,164	5,16	67	71,5
ZEN BB 2000 E	8040	12/30/42 (**)	1,746	7,74	68	99
ZEN BB 2500 E	9380	16/30/46 (**)	2,037	9,03	69	120

(*) Under request other electrical heating power can be limited.

(**) 2 separated power supplies.

 WATER HEATED

Model	Airflow m ³ /h	P86 (80/60°C)		P64 (60/40°C)		P54 (50/40°C)		Ventilation power 230V~50Hz kW	Ventilation current 230V~50Hz A	Noise level (5 m) dB(A)	Weight kg
		Water heating capacity kW	Water pressure drop Pa	Water heating capacity kW	Water pressure drop Pa	Water heating capacity kW	Water pressure drop Pa				
ZEN SB 1000 P	2910	15,58	8280	12,44	8640	14,47	9820	0,523	3,8	62	46
ZEN SB 1500 P	3880	19,71	630	18,55	5840	21,19	12380	0,697	5,07	63	66,5
ZEN SB 2000 P	5820	31	1860	22,84	3860	30,77	10270	1,046	7,61	64	92
ZEN SB 2500 P	6790	38,97	3440	31,79	7160	36,94	9570	1,22	8,87	65	111
ZEN BB 1000 P	3750	18,21	15190	15,16	16190	16,48	12180	0,873	3,87	65	47,5
ZEN BB 1500 P	5000	23,52	1200	21,87	10990	24,15	15260	1,164	5,16	66	68,5
ZEN BB 2000 P	7500	36,57	3470	31,13	7350	35,04	12680	1,746	7,74	67	95
ZEN BB 2500 P	8750	45,78	6370	38,96	13420	42,12	11880	2,037	9,03	68	115

Water heated:

P86, P64 2x1", P54 1000-2000 2x1" and 2500 2x1¼".

Connection pipes P86, P64 and P54 are male.

P86 2 rows coil, P64 3 rows coil, P54 4 rows coil.

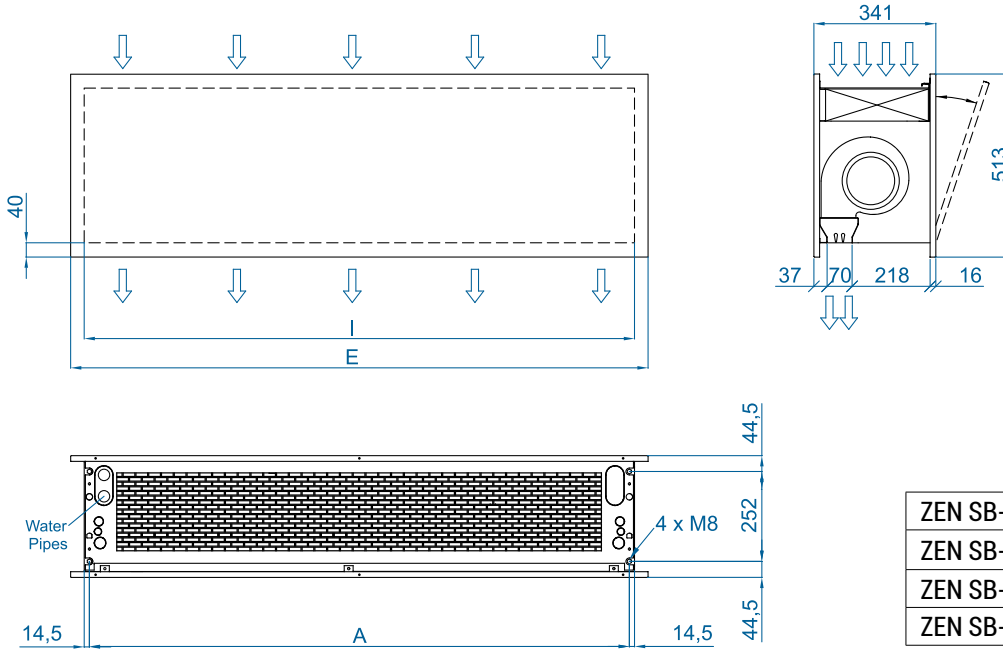


Selection program



Dimensions

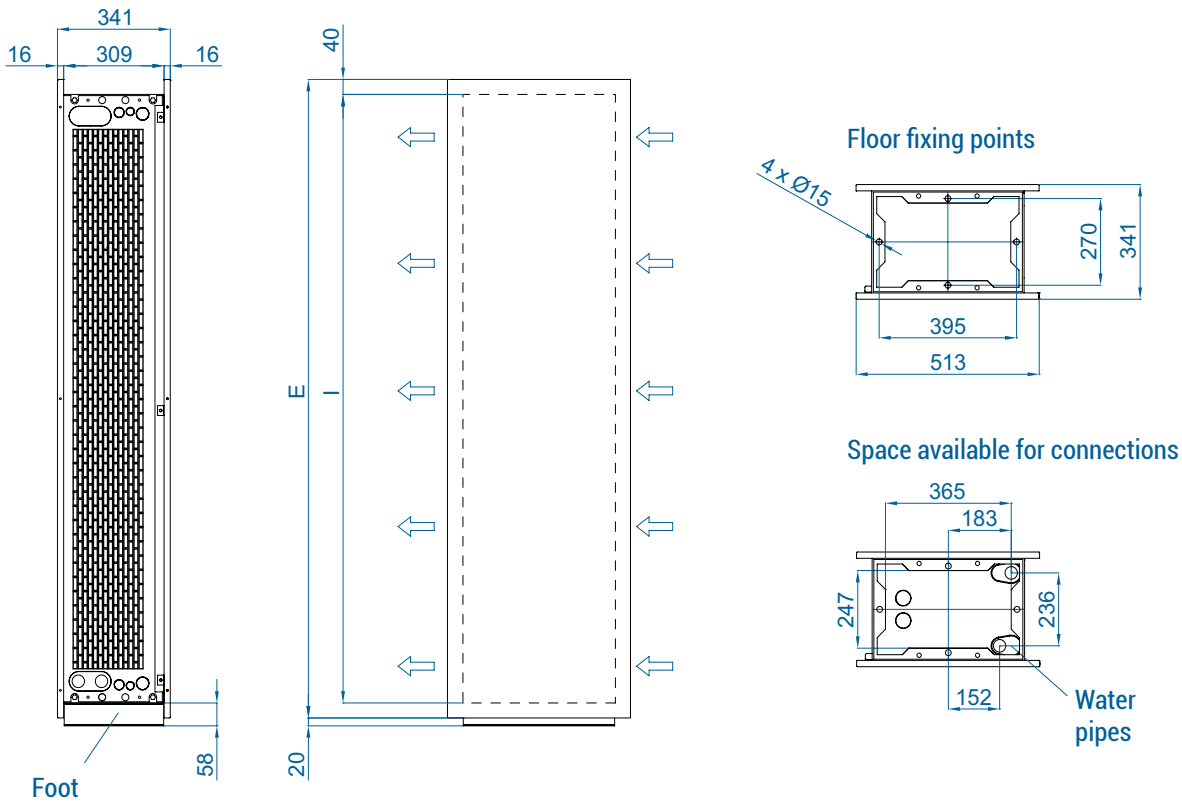
Horizontal installation



	L	I	A
ZEN SB-BB 1000	1220	1140	1115
ZEN SB-BB 1500	1620	1544	1515
ZEN SB-BB 2000	2120	2044	2015
ZEN SB-BB 2500	2620	2544	2515

Customizable dimensions on request.

Vertical installation



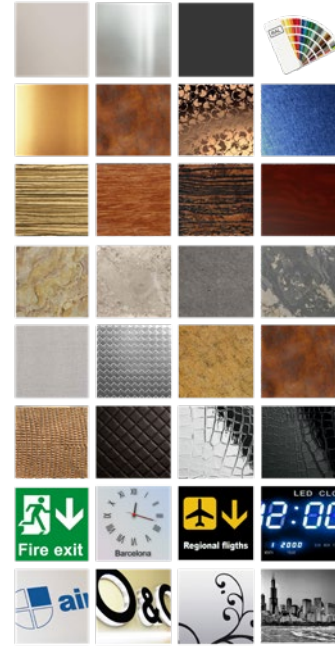
CAD drawings, BIM files, installation manuals and other documentation





Finishes

The front panel is designed to include graphics, logos, illuminated signs, signage, clocks or any other decorative element desired by the customer. Available in any colour from the RAL chart or in stainless steel.



- standard / painted
- decorative metals
- wood
- stone
- industrial
- leather
- signage
- logos / images



WATCH VIDEO



SEE FINISHES CATALOGUE

Optional accessories

Supports and installation



Wall rail supports
SPWR



Silentblock supports
SPANG-SIL / SLB



Suspension cables
SPCT



Omega wall support
SPT4



Wall angle support



Kit junction
SPJ-ZEN BB
middle and top



Support
Zen arm



Foot support
SPF-ZEN BB
(Galv. / SS)

Control



ADVANCED PRO
✓ Included



IR Control
✓ Included



RJ11 Cable
✓ Included



CLEVER PRO

Filters



Removable
prefilter G2

Sensors and valves



Magnetic door contact
MAG-DC
✓ Included



Mechanical door contact
MEG-DC



External Temperature
Sensor



Solenoid valve
V-S



Valve 3 ways
V-T



Proportional valve
V-ACT



Anti-freezing sensor
AFS-INS