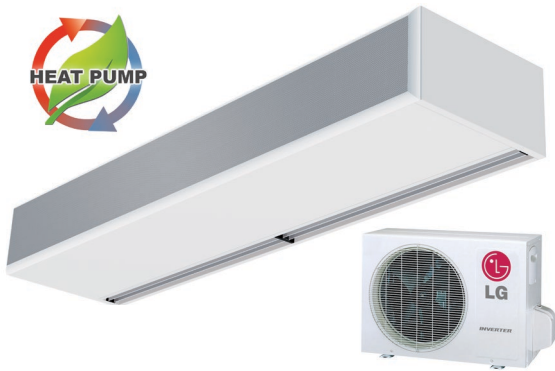




Technical Features



Range
Up to 4,2 m



Airflow
1640 - 5840 m³/h



Fans
EC Double Inlet
Centrifugal



Heating type
Heat pump
with sensors



Heating capacity
7,9 - 27 kW



Casing
Galvanised Steel
Self-Supporting



Grille type
Micro-perforated
with filter function



Outlet vanes
Airfoil type
Adjustable 0-15° each side



Control
Slave DX
(Optional Control Clever)

RAL 9016 standard  Stainless steel  Other colors on request 

WINDBOX air curtains range provide equipment suitable for all types of commercial entrances. A compact and robust galvanised steel air curtain from our standard range with a timeless design, ready for visible installation over the door and prepared for multiple false ceiling installation configurations. Its energy saving heat pump compatible version achieves a reduction of up to 70% in consumption and CO₂ emissions (in heating mode).

Ready to connect to LG Inverter heat pump (R32/R410A) with direct expansion valve, not included to be purchased by the customer. Includes Interface Kit DX PAHCMRA000 adapted by curtain and programmable control LG PREMTB001.

On request the air curtain can be modified to work in cooling and heating (not recommended) with optional water condensate pump.

Air curtain specifications

Model	Airflow m ³ /h	Fans Power	Fans Current	Outdoor unit	Outdoor unit	Gas-Liquid pipe connections	Noise Level (5 m)	Weight kg
		230V-50/60Hz kW	230V-50/60Hz A	230Vx1	400Vx3	inch	dB(A)	
ECM 1000 DX8-LG	1640	0,142	1,24	UUC1 U40	-	5/8" - 3/8"	56	35
ECM 1500 DX11-LG	2460	0,213	1,86	UUD1 U30	UUD3 U30	5/8" - 3/8"	57	53
ECM 2000 DX16-LG	3280	0,284	2,48	UUD1 U30	UUD3 U30	5/8" - 3/8"	58	69
ECM 2500 DX22-LG	4100	0,355	3,10	-	UU70W U34	1" - 3/8"	59	86
ECM 3000 DX27-LG	4920	0,426	3,72	-	UU85W U74	7/8" - 1/2"	60	103
ECG 1000 DX10-LG	2190	0,213	1,86	UUD1 U30	UUD3 U30	5/8" - 3/8"	61	50
ECG 1500 DX15-LG	2920	0,284	2,48	UUD1 U30	UUD3 U30	5/8" - 3/8"	62	59
ECG 2000 DX20-LG	4380	0,426	3,72	-	UU70W U34	1" - 3/8"	63	92
ECG 2000 DX22-LG	4380	0,426	3,72	-	UU70W U34	1" - 3/8"	63	92
ECG 2500 DX22-LG	5110	0,497	4,34	-	UU70W U34	1" - 3/8"	64	96
ECG 2500 DX27-LG	5110	0,497	4,34	-	UU85W U74	7/8" - 1/2"	64	96
ECG 3000 DX27-LG	5840	0,568	4,96	-	UU85W U74	7/8" - 1/2"	65	109

Outdoor unit specifications

LG inverter model Outdoor Unit	Heating capacity	COP or SCOP	Cooling capacity	EER or SEER	Voltage	Gas-liquid pipes	Minimum pipe length	Maximum pipe length	Maximum pipe height
	kW		kW			inch	m	m	m
UUC1 U40	7,9	4,8	6,8	8,5	230Vx1	5/8" - 3/8"	5	50	30
UUD1 U30 (36)	10,8	4,5	9,5	7,6	230Vx1	5/8" - 3/8"	5	85	30
UUD1 U30 (42)	13,5	4,5	12,1	7,4	230Vx1	5/8" - 3/8"	5	85	30
UUD1 U30 (48)	15,5	4,5	13,4	6,8	230Vx1	5/8" - 3/8"	5	85	30
UUD1 U30 (60)	17,5	4,5	15	6,6	230Vx1	5/8" - 3/8"	5	85	30
UUD3 U30 (36)	10,8	4,5	9,5	7,6	400Vx3	5/8" - 3/8"	5	85	30
UUD3 U30 (42)	13,5	4,5	12,1	7,4	400Vx3	5/8" - 3/8"	5	85	30
UUD3 U30 (48)	15,5	4,5	13,4	6,8	400Vx3	5/8" - 3/8"	5	85	30
UUD3 U30 (60)	17,5	4,5	15	6,6	400Vx3	5/8" - 3/8"	5	85	30
UU70W U34	22,4	3,5	19	2,84	400Vx3	1" - 3/8"	5	75	30
UU85W U74	27	3,25	23	2,81	400Vx3	7/8" - 1/2"	5	75	30



Technical Features



Range
Up to 4,2 m



Airflow
1640 - 5840 m³/h



Fans
EC Double Inlet
Centrifugal



Heating type
Heat pump
with sensors



Heating capacity
7,9 - 34 kW



Casing
Galvanised Steel
Self-Supporting



Grille type
Micro-perforated
with filter function



Outlet vanes
Airfoil type
Adjustable 0-15° each side



Control
Slave DX
(Optional Control Clever)

RAL 9016
standard



Stainless
steel



Other colors
on request



WINDBOX air curtains range provide equipment suitable for all types of commercial entrances. A compact and robust galvanised steel air curtain from our standard range with a timeless design, ready for visible installation over the door and prepared for multiple false ceiling installation configurations. Its energy saving heat pump compatible version achieves a reduction of up to 70% in consumption and CO₂ emissions (in heating mode).

Ready to connect to LG VRF outdoor heat pump unit (R32/R410A) and expansion valve not included, the customer should purchase it. Requires LG VRF Interface KIT adapted for air curtain and programmable control, please consult.

On request the air curtain can be modified to work in cooling and heating (not recommended) with optional water condensate pump.

Air curtain specifications

Model	Airflow m ³ /h	Fans Power	Fans Current	Expansion Valve	Gas-Liquid pipe connections inch	Noise Level (5 m) dB(A)	Weight kg
		230V-50/60Hz kW	230V-50/60Hz A				
ECM 1000 VRF8-LG	1640	0,142	1,24	PRLK048A0	5/8" - 3/8"	56	35
ECM 1500 VRF12-LG	2460	0,213	1,86	PRLK048A0	5/8" - 3/8"	57	53
ECM 2000 VRF16-LG	3280	0,284	2,48	PRLK048A0	5/8" - 3/8"	58	69
ECM 2000 VRF19-LG	3280	0,284	2,48	PRLK048A0	5/8" - 3/8"	58	69
ECM 2500 VRF21-LG	4100	0,355	3,10	PRLK048A0	1" - 3/8"	59	86
ECM 2500 VRF24-LG	4100	0,355	3,10	PRLK048A0	1" - 3/8"	59	86
ECM 3000 VRF26-LG	4920	0,426	3,72	PRLK048A0	7/8" - 1/2"	60	103
ECG 1000 VRF10-LG	2190	0,213	1,86	PRLK048A0	5/8" - 3/8"	61	50
ECG 1500 VRF15-LG	2920	0,284	2,48	PRLK048A0	5/8" - 3/8"	62	59
ECG 2000 VRF20-LG	4380	0,426	3,72	PRLK048A0	1" - 3/8"	63	92
ECG 2000 VRF24-LG	4380	0,426	3,72	PRLK048A0	1" - 3/8"	63	92
ECG 2500 VRF25-LG	5110	0,497	4,34	PRLK048A0	1" - 3/8"	64	96
ECG 2500 VRF29-LG	5110	0,497	4,34	PRLK048A0	7/8" - 1/2"	64	96
ECG 3000 VRF29-LG	5840	0,568	4,96	PRLK048A0	7/8" - 1/2"	65	109
ECG 3000 VRF34-LG	5840	0,568	4,96	PRLK096A0	7/8" - 1/2"	65	109

VRF-compatible models are as follows:

- Multi V S
- Multi V 5
- Multi V IV

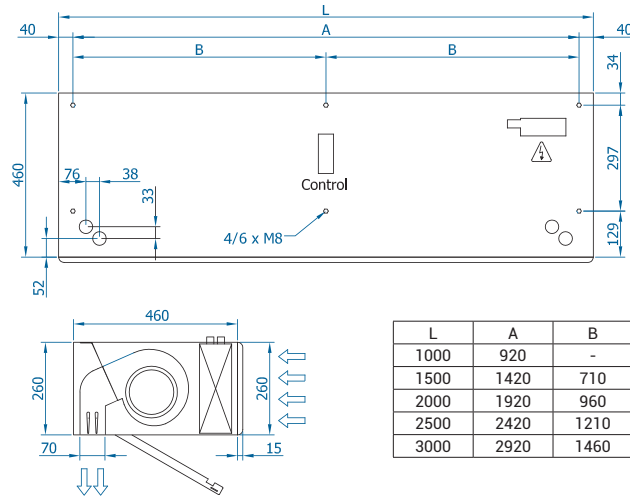


Selection program

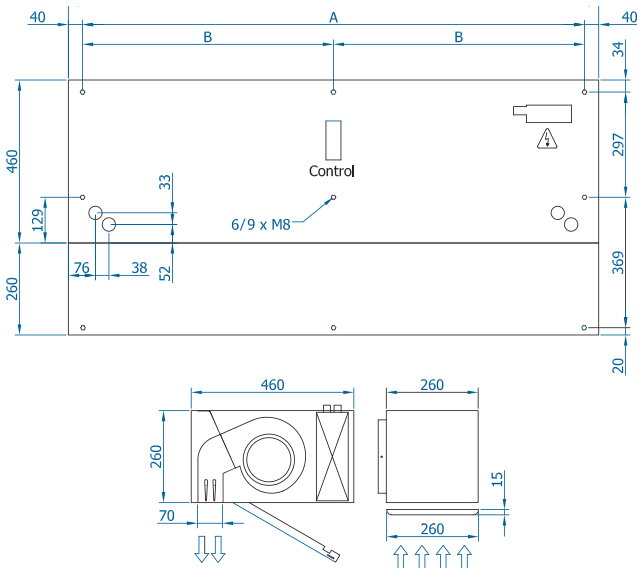


Dimensions

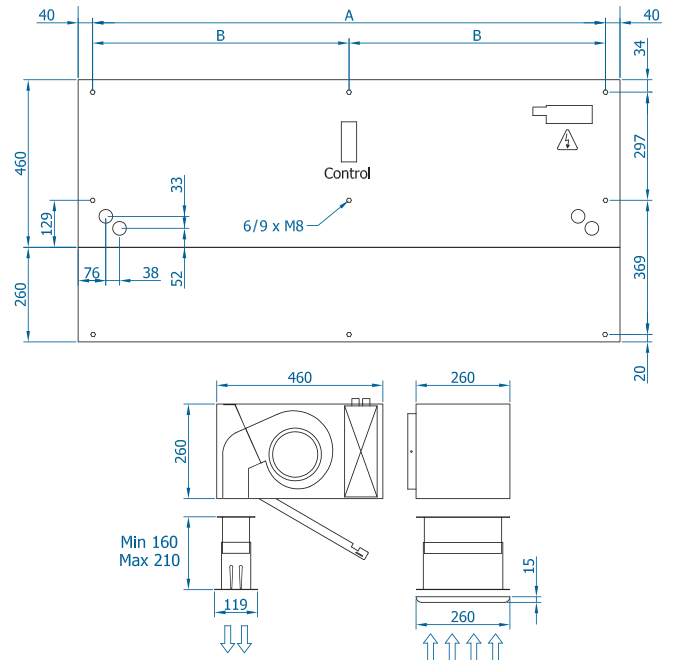
Horizontal free hanging Installation



Inside ceiling surface mounting



False ceiling invisible mounting



CAD drawings, BIM files, installation manuals and other documents





Installation configurations



With inlet kit



With outlet kit



With inlet and outlet kit



With plenum



With plenum and kits



With top inlet plenum



Duowind / Duowind with inlet and outlet kits



With flat inlet and outlet kits



With plenum and recessed frame accessory

Accessories

Supports



Wall rail support
SPWR



Silentblock supports
SPANG-SIL / SLB



Gripple hanger
SPCT



Slave DX
(Included)



Interface kit
IN-NE-II



Clever Control Kit



RJ45 Cable



External Temperature
Sensor (Clever, TD-NE)

Sensors



Magnetic door contact
DC



Mechanical door contact
DC