



## Technical Features



Range  
Up to 4,2 m



Airflow  
1640 - 5840 m<sup>3</sup>/h



Fans  
EC Double Inlet  
Centrifugal



Heating type  
Heat pump  
with sensors



Heating capacity  
7,9 - 27 kW



Casing  
Galvanised Steel  
Self-Supporting



Grille type  
Perforated Ø5



Outlet vanes  
Airfoil type  
Adjustable 0-15° each side



Control  
Slave DX  
(Optional Control Clever)

RAL 9016  
standard



Stainless  
steel



Other colors  
on request



DAM is an air curtain from the standard range that stands out for its versatility and the design of its front part. The classic suction grille has been efficiently replaced by a front panel that can be customised with logos, signage, graphics or images and a double air intake at the top and bottom of the curtain. With this solution, the need for grille maintenance is eliminated and the decorative front panel provides a modern and clean view of the equipment. Its energy saving heat pump compatible version achieves a reduction of up to 70% in consumption and CO<sub>2</sub> emissions (in heat mode). Ready to connect to LG Inverter heat pump (R32/R410A) with direct expansion valve, not included to be purchased by the customer. Includes Interface Kit DX PAHCMRA000 adapted by curtain and programmable control LG PREMTB001.

On request the air curtain can be modified to work in cooling and heating (not recommended) with optional water condensate pump.

### Air curtain specifications

Model	Airflow m <sup>3</sup> /h	Fans Power	Fans Current	Outdoor unit	Outdoor unit	Gas-Liquid pipe connections	Noise Level (5 m)	Weight kg
		230V-50/60Hz kW	230V-50/60Hz A	230Vx1	400Vx3	in	dB(A)	
DAM ECM 1000 DX8-LG	1640	0,142	1,24	UUC1 U40	-	5/8" - 3/8"	56	43
DAM ECM 1500 DX11-LG	2460	0,213	1,86	UUD1 U30	UUD3 U30	5/8" - 3/8"	57	64
DAM ECM 2000 DX16-LG	3280	0,284	2,48	UUD1 U30	UUD3 U30	5/8" - 3/8"	58	81
DAM ECM 2500 DX22-LG	4100	0,355	3,10	-	UU70W U34	1" - 3/8"	59	89
DAM ECM 3000 DX27-LG	4920	0,426	3,72	-	UU85W U74	7/8" - 1/2"	60	103
DAM ECG 1000 DX10-LG	2190	0,213	1,86	UUD1 U30	UUD3 U30	5/8" - 3/8"	61	48
DAM ECG 1500 DX15-LG	2920	0,284	2,48	UUD1 U30	UUD3 U30	5/8" - 3/8"	62	70
DAM ECG 2000 DX20-LG	4380	0,426	3,72	-	UU70W U34	1" - 3/8"	63	91
DAM ECG 2000 DX22-LG	4380	0,426	3,72	-	UU70W U34	1" - 3/8"	63	91
DAM ECG 2500 DX22-LG	5110	0,497	4,34	-	UU70W U34	1" - 3/8"	64	97
DAM ECG 2500 DX27-LG	5110	0,497	4,34	-	UU85W U74	7/8" - 1/2"	64	97
DAM ECG 3000 DX27-LG	5840	0,568	4,96	-	UU85W U74	7/8" - 1/2"	65	111

### Outdoor unit specifications

LG inverter model Outdoor Unit	Heating capacity	COP or SCOP	Cooling capacity	EER or SEER	Voltage	Gas-liquid pipes	Minimum pipe length	Maximum pipe length	Maximum pipe height
	kW		kW			in	m	m	m
UUC1 U40	7,9	4,8	6,8	8,5	230Vx1	5/8" - 3/8"	5	50	30
UUD1 U30 (36)	10,8	4,5	9,5	7,6	230Vx1	5/8" - 3/8"	5	85	30
UUD1 U30 (42)	13,5	4,5	12,1	7,4	230Vx1	5/8" - 3/8"	5	85	30
UUD1 U30 (48)	15,5	4,5	13,4	6,8	230Vx1	5/8" - 3/8"	5	85	30
UUD1 U30 (60)	17,5	4,5	15	6,6	230Vx1	5/8" - 3/8"	5	85	30
UUD3 U30 (36)	10,8	4,5	9,5	7,6	400Vx3	5/8" - 3/8"	5	85	30
UUD3 U30 (42)	13,5	4,5	12,1	7,4	400Vx3	5/8" - 3/8"	5	85	30
UUD3 U30 (48)	15,5	4,5	13,4	6,8	400Vx3	5/8" - 3/8"	5	85	30
UUD3 U30 (60)	17,5	4,5	15	6,6	400Vx3	5/8" - 3/8"	5	85	30
UU70W U34	22,4	3,5	19	2,84	400Vx3	1" - 3/8"	5	75	30
UU85W U74	27	3,25	23	2,81	400Vx3	7/8" - 1/2"	5	75	30



## Technical Features



Range  
Up to 4,2 m



Airflow  
1640 - 5840 m<sup>3</sup>/h



Fans  
EC Double Inlet  
Centrifugal



Heating type  
Heat pump  
with sensors



Heating capacity  
7,9 - 34 kW



Casing  
Galvanised Steel  
Self-Supporting



Grille type  
Perforated Ø5



Outlet vanes  
Airfoil type  
Adjustable 0-15° each side



Control  
Slave DX  
(Optional Control Clever)

RAL 9016  
standard



Stainless  
steel



Other colors  
on request



DAM is an air curtain from the standard range that stands out for its versatility and the design of its front part. The classic suction grille has been efficiently replaced by a front panel that can be customised with logos, signage, graphics or images and a double air intake at the top and bottom of the curtain. With this solution, the need for grille maintenance is eliminated and the decorative front panel provides a modern and clean view of the equipment. Its energy saving heat pump compatible version achieves a reduction of up to 70% in consumption and CO2 emissions (in heat mode). Ready to connect to LG VRF outdoor heat pump unit (R32/R410A) and expansion valve not included, the customer should purchase it. Requires LG VRF Interface KIT adapted for air curtain and programmable control, please consult.

On request the air curtain can be modified to work in cooling and heating (not recommended) with optional water condensate pump.

Air curtain specifications

Model	Airflow m <sup>3</sup> /h	Fans Power 230V-50/60Hz kW	Fans Current 230V-50/60Hz A	Expansion valve	Gas-Liquid pipe connections in	Noise Level (5 m) dB(A)	Weight kg
DAM ECM 1000 VRF8-LG	1640	0,142	1,24	PRLK048A0	5/8" - 3/8"	56	43
DAM ECM 1500 VRF12-LG	2460	0,213	1,86	PRLK048A0	5/8" - 3/8"	57	64
DAM ECM 2000 VRF16-LG	3280	0,284	2,48	PRLK048A0	5/8" - 3/8"	58	81
DAM ECM 2000 VRF19-LG	3280	0,284	2,48	PRLK048A0	5/8" - 3/8"	58	81
DAM ECM 2500 VRF21-LG	4100	0,355	3,10	PRLK048A0	1" - 3/8"	59	89
DAM ECM 2500 VRF24-LG	4100	0,355	3,10	PRLK048A0	1" - 3/8"	59	89
DAM ECM 3000 VRF26-LG	4920	0,426	3,72	PRLK048A0	7/8" - 1/2"	60	103
DAM ECG 1000 VRF10-LG	2190	0,213	1,86	PRLK048A0	5/8" - 3/8"	61	48
DAM ECG 1500 VRF15-LG	2920	0,284	2,48	PRLK048A0	5/8" - 3/8"	62	70
DAM ECG 2000 VRF20-LG	4380	0,426	3,72	PRLK048A0	1" - 3/8"	63	91
DAM ECG 2000 VRF24-LG	4380	0,426	3,72	PRLK048A0	1" - 3/8"	63	91
DAM ECG 2500 VRF25-LG	5110	0,497	4,34	PRLK048A0	1" - 3/8"	64	97
DAM ECG 2500 VRF29-LG	5110	0,497	4,34	PRLK048A0	7/8" - 1/2"	64	97
DAM ECG 3000 VRF29-LG	5840	0,568	4,96	PRLK048A0	7/8" - 1/2"	65	111
DAM ECG 3000 VRF34-LG	5840	0,568	4,96	PRLK096A0	7/8" - 1/2"	65	111

The VRF-compatible models are as follows:

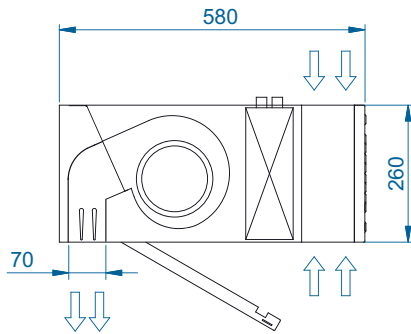
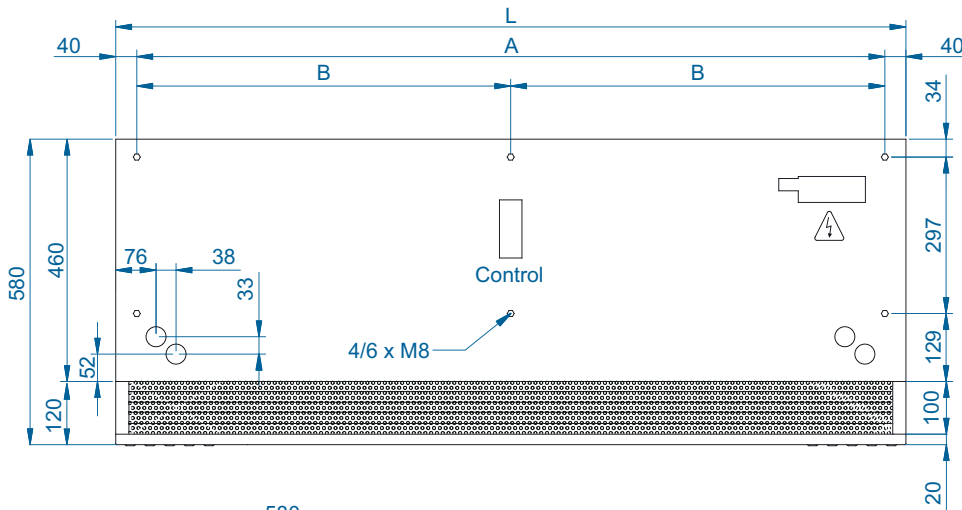
- Multi V S
- Multi V 5
- Multi V IV



Selection program



## Dimensions



Model	L	A	B
1000	1000	920	-
1500	1500	1420	710
2000	2000	1920	960
2500	2500	2420	1210
3000	3000	2920	1460

CAD drawings, BIM files, installation manuals and other documents



## Accessories

### Supports



Wall rail support  
SPWR



Silentblock supports  
SPANG-SIL / SLB



Gripple hanger  
SPCT



Slave DX  
(Included)



Interface kit  
IN-NE-II



Clever Control Kit

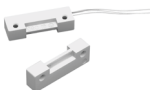


RJ45 Cable



External Temperature  
Sensor (Clever, TD-NE)

### Sensors



Magnetic door contact  
DC



Mechanical door contact  
DC